

Universal touch dimmer insert LED, with satellite input



Reference number:	1711 DE
EAN/GTIN:	4011377166912



with satellite input

for covers JUNG HOME ref.-no.: BT .. 17101 .., BT .. 17102 .., BT .. 17181 .., BT .. 17182 .., BT 17361 ..

for covers eNet ref.-no.: FM .. 1700 .., FM .. 1701 ..

for covers LB Management ref.-no.: .. 1700 .., .. 1750 D .., .. 17180 .., .. 17280 ..

for covers KNX RF ref.-no.: .. 1091 IST RF .., .. 1092 IST RF ..

Intended use

- Switching and dimming of lighting
- Operation with suitable cover
- Installation in flush box with dimensions according to DIN 49073

Product characteristics

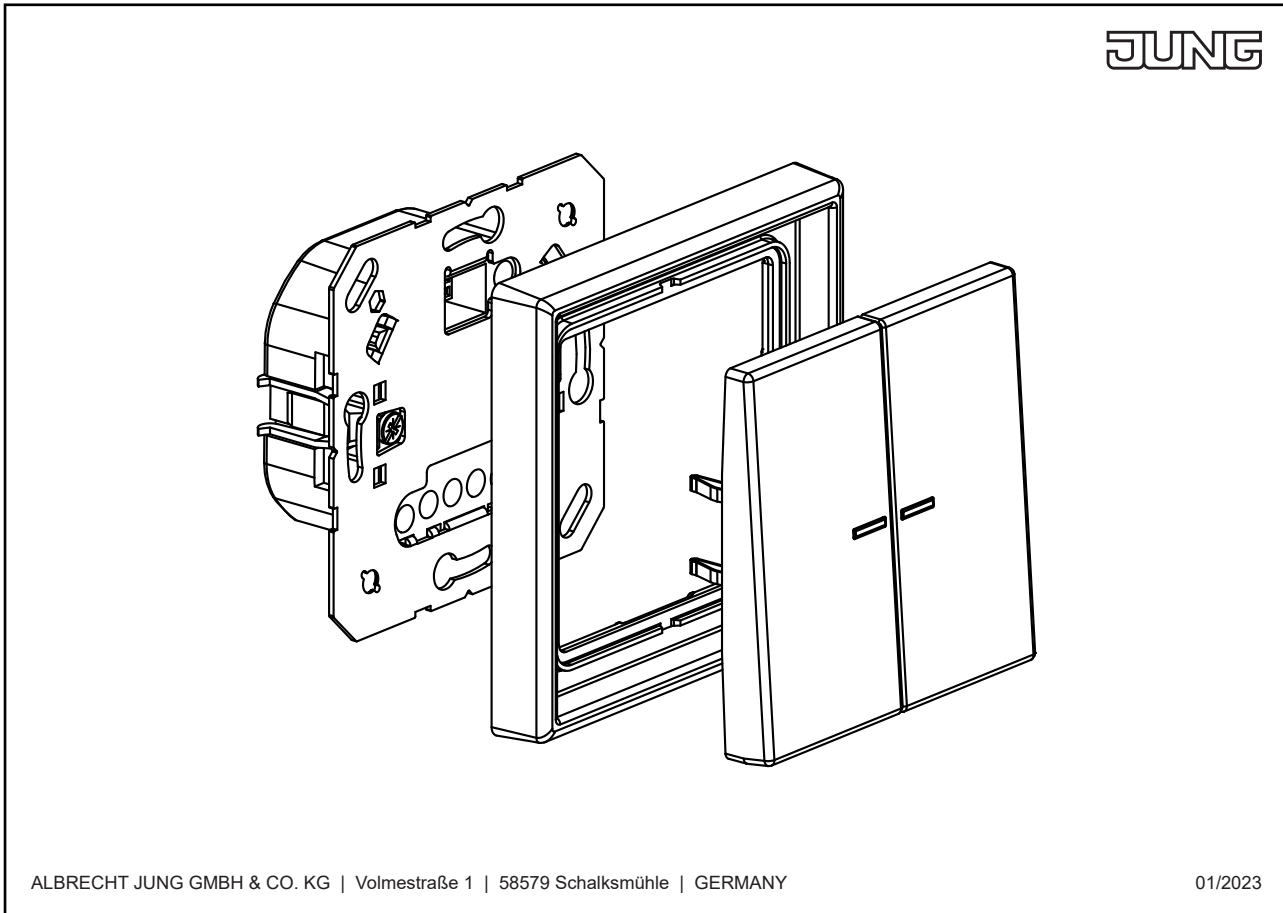
- Device works according to the leading edge phase control or trailing edge phase control principle
- Automatic or manual setting of the dimming principle suitable for the load
- Display of the set operating mode by means of LED
- Device can be operated without neutral conductor
- Switch-on via bulb-preserving soft start
- Switch-on with last brightness or saved switch-on brightness
- Switch-on brightness can be saved permanently
- Minimum brightness can be saved permanently
- Maximum brightness can be saved permanently
- Connection of satellite units possible
- Electronic short-circuit protection with permanent switch-off after 7 seconds at the latest
- Electronic over-temperature protection
- Test operation for functional test
- Key card function
- Power extension possible by means of amplifiers (ref.-no. ULZ 1755 REG)
- Optional accessory: compensation module LED, ref.-no.: KM LED 230 U

Technical data

Rated voltage:	AC 230 V ~
Mains frequency:	50/60 Hz
Stand-by power depending on the cover:	approx. 0.1 ... 0.5 W

Power loss:	approx. 4 W
Ambient temperature:	-5 ... +45 °C
Connected load at 25 °C	
Incandescent lamps:	20 ... 420 W
HV halogen lamps:	20 ... 420 W
Electronic transformers:	20 ... 420 W
Electronic transformers with LV LED:	typical 20 ... 100 W
Inductive transformers:	20 ... 420 VA
Inductive transformers with LV LED:	typical 20 ... 100 VA
Dimmable HV LED lamps:	typical 3 ... 100 W
Dimmable compact fluorescent lamps:	typical 3 ... 100 W
Operating mode LED trailing edge phase control: Rated power for HV LED lamps, typ. 3 ... 400 W, electronic transformers with LV LED typ. 20 ... 200 W.	
Ohmic-capacitive:	20 ... 420 W
Capacitive-inductive:	not permitted
Ohmic-inductive:	20 ... 420 VA
Ohmic and HV LED:	typical 3 ... 100 W
Ohmic and CFL:	typical 3 ... 100 W
Amplifiers:	see instructions for amplifier
Connection	screw terminals
Number of satellite units	
Satellite insert 2-wire 1720 NE:	unlimited
Satellite insert 3-wire 1723 NE:	10
Rotary satellite insert 3-wire 1733 DNE:	10
Push-buttons:	unlimited
Total length of satellite cable:	max. 100 m
Total length power cable:	max. 100 m

Assembly



ALBRECHT JUNG GMBH & CO. KG | Volmestraße 1 | 58579 Schalksmühle | GERMANY

01/2023